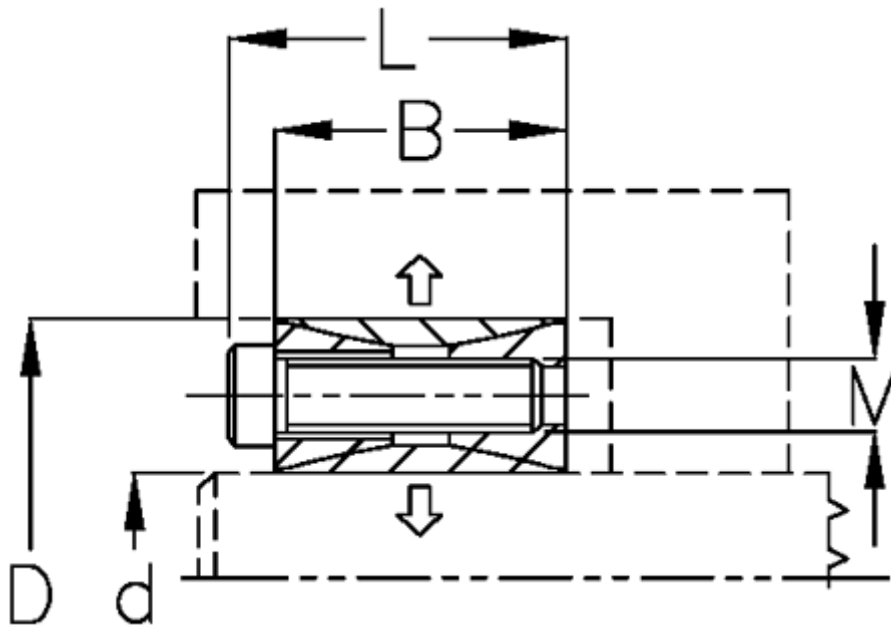


Article number: 4320001001

Description: Rota-fix shaft-hub connection A 100x145
Stainless Steel

Measures



B mm	= 33
d H8 mm	= 100
D mm	= 145
Fit tolerance	= Aksel k11-h11, Nav N11-H11
F kN torque	= 117.0
L mm	= 45
M mm	= M12
P N/mm ² surface pressure on shaft/hub	= 51

Surface roughness	=
T N m torque	=
Ts N m bolt tightening torque	=